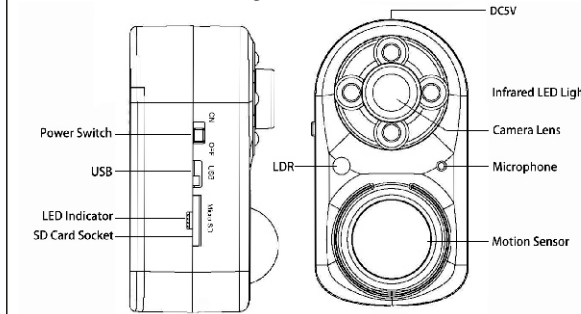
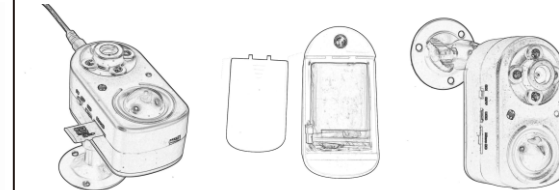


## PIR680 Security Camera User manual



1. Power Switch: ON/OFF - Move switch to ON side to power on, Move to OFF side to power off.
2. LDR: Light dependent resistors
3. USB: USB interface
4. Micro SD card: Install memory (max:128GB,Not included)
5. LED Indicator: LED Indicator light show working status
6. DCSV: connect power supply or power bank
7. Camera Lens: optics camera lens
8. Infrared LED light: 4 940nm Infrared LED lights
9. Microphone: -38db microphone
10. Motion Sensor: Human body heat sensor

## Installation:



- A. Insert micro SD card to the SD socket**, please take care of micro SD card direction
- B. Connect battery or power supply;**
- C. Install the camera to the wall or other place**, as above diagram;  
**Note:** Please adjust the camera lens match to the direction where you need monitoring, the camera lens angle is 105 degree.

**D. Move the power switch to ON**, the system start working, the RED LED will flashing in 5 seconds then turn off, (please check if the Red or Yellow LED light continue flashing, mean the system have problem, please check the memory card is full or not installed well.),The camera will take picture or Recording videos when human body heat monitoring system activated.

## DE

A. Mikro-SD-Karte in die SD-Steckdose stecken, bitte auf die SD-Karten-Richtung achten  
 B. Batterie oder Stromversorgung anschließen, Kamera an die Wand anschließen;  
 Hinweis: Bitte passen Sie die Kamera-Objektiv-Anpassung an die Richtung an, in der Sie überwachen müssen, der Kamera-Objektivwinkel ist 105 Grad.  
 C. Bewegen Sie den Netzschalter auf "ON"-Seite.  
 Jetzt die Kamera anfangen zu arbeiten, die ROTE LED blinkt in 5 Sekunden ausschalten, (überprüfen Sie bitte, ob das ROTE LED-Licht weiter blinkt, bedeuten, dass das System Problem hat, überprüfen Sie bitte, dass die Speicherkarte voll ist oder nicht gut angebracht ist);  
 Die Kamera nimmt Bild oder Video aufnehmen, wenn das menschliche Körperwärmeüberwachungssystem aktiviert ist.

## FR

A. Insérez la carte micro SD à la prise SD, prenez soin de la direction de la carte micro SD  
 B. Branchez la batterie ou l'alimentation électrique, installez l'appareil photo sur le mur;  
 Remarque: ajustez la correspondance de l'objectif de la caméra à la direction où vous avez besoin de surveillance, l'angle de l'objectif de la caméra est de 105 degrés.  
 C. Déplacez l'interrupteur d'alimentation sur le côté "ON".  
 Maintenant, la caméra commence à fonctionner, la LED ROUGE clignote en 5 secondes éteint (vérifiez si le voyant ROUGE continue à clignoter, signifie que le système a un problème, vérifiez que la carte mémoire est pleine ou pas bien installée).  
 L'appareil photo prend une photo ou enregistre des vidéos lorsque le système de surveillance de la chaleur du corps humain est activé.

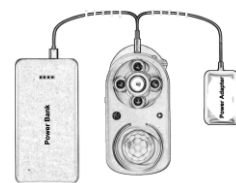
## ES

A. Inserte la tarjeta micro SD a la entrada SD, por favor tome en cuenta la dirección de la tarjeta micro SD  
 B. Conecte la batería o la fuente de alimentación, Instale la cámara en la pared;  
 Nota: Por favor, ajuste el lente de la cámara a la dirección donde necesite supervisión, el ángulo del lente de la cámara es de 105 grados.  
 C. Coloque el interruptor de encendido en el lado "ON".  
 Ahora la cámara comienza a funcionar, si el LED ROJO parpadea en 5 segundos apáguela, (por favor verifique si la luz led ROJA continúa parpadeando, eso significa que el sistema tiene algún problema, compruebe si la tarjeta de memoria está llena o no se instaló bien).  
 La cámara tomará fotos o videos cuando el sistema de monitoreo del calor humano esté activado.

## IT

A. Inserire la scheda micro SD nel socket SD, fare attenzione alla direzione della scheda micro SD.  
 B. Connettere la batteria o l'alimentazione della installare la telecamera;  
 Nota: Assicurarsi che la lente della telecamera corrisponda alla direzione che volete monitorare, l'angolo della lente della telecamera è di 105°.  
 C. Spostare l'interruttore su "ON".  
 Ora la telecamera inizierà a lavorare, il LED ROSSO lampeggerà per 5 secondi per poi spegnersi (controllare se la luce LED rossa continua a lampeggiare, significa che il sistema ha dei problemi, controllare che la scheda di memoria non sia piena o installata male.)  
 La telecamera scatterà immagini o registrerà video quando viene attivato il sistema di monitoraggio del calore corporeo.

## Power Supply Method:



1. Powered by Inside Battery: support about 1~3 months standby, depend on the number of human passed;
2. Connect to Power Supply: the system will powered by power supply, inside battery is backup power source, and the battery will be charged by power supply when its low power;
3. Connect to Power Bank: the system will powered by power bank, inside battery is backup power source, and the battery will be charged by power bank when its low power;

## Playback:

**A. Read by SD Card Reader:** Just move the power switch at OFF side, takeout the micro SD card and read it via micro SD

card reader through computers.

**B. Read By Computer Directly:** Take the camera without power supply, connect it to computer via USB cable, and move the power switch at ON side(if no response, need turn the switch to off and turn on again), the computer will recognize and pop up a removable disk logo. Open it up and there will be files for "config.dat" and DCIM folder, all the videos and pictures saved in DCIM folder, double click it to view or download to computer.

## Setting System Parameters:

Create the file: move the Power Switch to ON side(you need install micro SD card and connect power supply or installed with battery). It will automatic create a "config.dat" file on SD card root folder;  
 Edit the file: Take the camera without power supply, connect it to computer via USB cable, and move the power switch at ON side,

the computer will recognize and pop up a removable disk logo. Open it up and there will be files for "config.dat" and DCIM folder, double click "config.dat" to edit. The default content as below:

```
[CFG]
UPDATA=0
MOTION_DETECTION_MODE=1
MODE=1
PICTURE_RESOLUTION=1
STILL_SHOT_NUM=3
VIDEO_RESOLUTION=3
RECORDING_TIME=1
DATETIME_STAMP=1
CAM_NAME=Name
PIR_DISTANCE=2
RESPOND_INTERVAL=3
DATETIME_FORMAT=1
DATETIME=2017/01/01 00:01:53
CYCLE_WRITE=1
AUDIO=0
POWER_FREQUENCY=1
```

## Command descriptions:

**UPDATA=0:** system update enable or disable; value could be 0 or 1, 1 for enable, 0 for disable, must change the value to 1 before update parameters, when system update finished this value will automatic change to 0.  
**MOTION\_DETECTION\_MODE=1:** Motion detection mode or continue recording mode; value could be 0 or 1, 1 for enable motion detection, 0 for continue recording videos, it will save file on every 10 minutes, the default value is 1.  
**MODE=1:** Setting Camera mode (Only valid when MOTION\_DETECTION\_MODE=1), value could be 1 or 2; 1 for capture pictures and recording videos together, 2 for take pictures only, the default value is 1  
**PICTURE\_RESOLUTION=1:** Setting picture resolution (Only valid when MOTION\_DETECTION\_MODE=1): value could be 1 or 2 or 3, 1 for 5 mega pixel, 2 for 8 mega pixel, 3 for 12 mega pixel, the default value is 1  
**STILL\_SHOT\_NUM=3:** Setting capture picture numeric (Only valid when MOTION\_DETECTION\_MODE=1), value could be 1 or 2 or 3, 1 for one picture, 2 for two pictures, 3 for three pictures - the default value is 3

**VIDEO\_RESOLUTION=3:** Setting record video resolution: value could be 1 or 2 or 3, 1 for VGA, 2 for 720P, 3 for 1080P - the default value is 3  
**RECORDING\_TIME=2:** Setting video recording time (Only valid when MOTION\_DETECTION\_MODE=1), value could be 1 or 2 or 3, 1 for 10 seconds, 2 for 20 seconds, 3 for 60 seconds, the default value is 2  
**DATETIME\_STAMP=1:** Setting date time stamp, value could be 1 or 0, 1 for enable, 0 for disable. The default value is 1  
**CAM\_NAME=Name:** Setting camera name, could be any numerical or words less than 8 characters  
**PIR\_DISTANCE=2:** Setting motion sensor detect range (Only valid when MOTION\_DETECTION\_MODE=1), value could be 1, 2 or 3, 1 for 5~7 meters, 2 for 8~10 meters, 3 for 11~13 meters, the default value is 2

**RESPOND\_INTERVAL=3:** Setting motion sensor response time (Only valid when MOTION\_DETECTION\_MODE=1), value could be 1, 2 or 3, 1 for 5~10 seconds, 2 for 20~30 seconds, 3 for 30~50 seconds, the default value is 3.  
**DATETIME\_FORMAT=1:** Setting data and time format; value could be 1, 2 or 3, 1 for Year/Month/Date, 2 for Date/Month/Year, 3 for Month/Date/Year, the default value is 1  
**DATETIME=2017/06/22 13:27:52:** Setting the data and time, format: "Year. Month. Day. Hours: minutes: seconds, manually edit the time/date to be correct  
**CYCLE\_WRITE=1:** Enable or disable Loop recording: value could be 0 or 1, 0 for disable, 1 for enable, the default value is 1  
**AUDIO=0:** Enable or Disable microphone, value could be 1 or 0, setting it to 0 will disable microphone, the default value is 0

**POWER FREQUENCY=1:** Setting the power frequency for different country, value could be 1 or 2, 1 for 50Hz, 2 for 60Hz, the default value is 1

**After adjust the parameters, save "config.dat" file, unplug it from computer, and move the camera power switch to off side.**

**Updating the parameters:** connect the camera to power supply or installed with battery, move the power switch at "ON" side, the system will power on and turn on red & blue LED light, after 5~8 seconds will flashing blue light for 5-10 seconds then turn off, update finished (total updated time about 20 seconds).

HRNO	Parameters
View Angle	Diagonal - DISTORTION 123° / Horizontal - DISTORTION 105°
Sensor / Lens	CCCI Progressive Scan CMOS ;1/3" lens, f=3.1mm, F=2.0
Video Resolution	1920*1080 / 1080*720 / 720*480(optional)
Video Rate	30fps
Video Code	H.264 Codex
Picture Resolution	5 Mega pixel; 8 Mega pixel
PIR Angle	Horizontal Angle: 120 degree
PIR Range	Detection range: 12 meters
IR LEDs	4 Piece 940nm IR LED / Power: 1 watt / Angle: 60 degree
IR LED Range	12 ~ 15 meters
Day & Night switching	Infrared dual-filter automatically switches
Power adapter	5V 2A
Memory	Max 128GB (Not Included)
Interface type	USB
Supporting system	Windows me/2000/xp/2003/vista/win7/win8,Mac 10.4, Linux

## Troubleshooting:

When the storage space is insufficient, or the device on halt, the yellow light will flashing quickly, If you want to continue to use this recorder, delete the files or change a memory card, the device will working back.

## Note:

- A. First time use please charging it over 12 hours, after it need charging every month if without power supply.
- B. If can't open the U disk, please format it via PC.
- C. If Yellow or Red LED continue flashing, SD card may installed Error, please reinstall the memory card.
- D. This camera without waterproof, if you need use outside you have to put an cover to protect it not be wetted.

## Warning:

**Application:** Please strictly abide relevant regulations and laws. This product should not be used for any illegal purposes. The user is fully responsible for its use.

**Battery:** If this product has not been used in a long period of time, you will need to fully charge it before using.  
 Operating temperature: 0 – 40 degree.  
 Operating humidity: 20% - 80%, this product is not waterproof so don not get it wet or use it in a humid environment.  
**Other matters:** Do not use this product in strong magnetic or strong electric powered environments.